

ADDENDUM NO. 1**SPRING 2025 LANDFILL GAS COLLECTION SYSTEM EXPANSION REBID
RFB #26-004****SOUTH WAKE LANDFILL
APEX, NORTH CAROLINA**

February 5, 2026

Prospective Bidders are hereby advised of the following revisions to the Bid Documents for the subject Project:

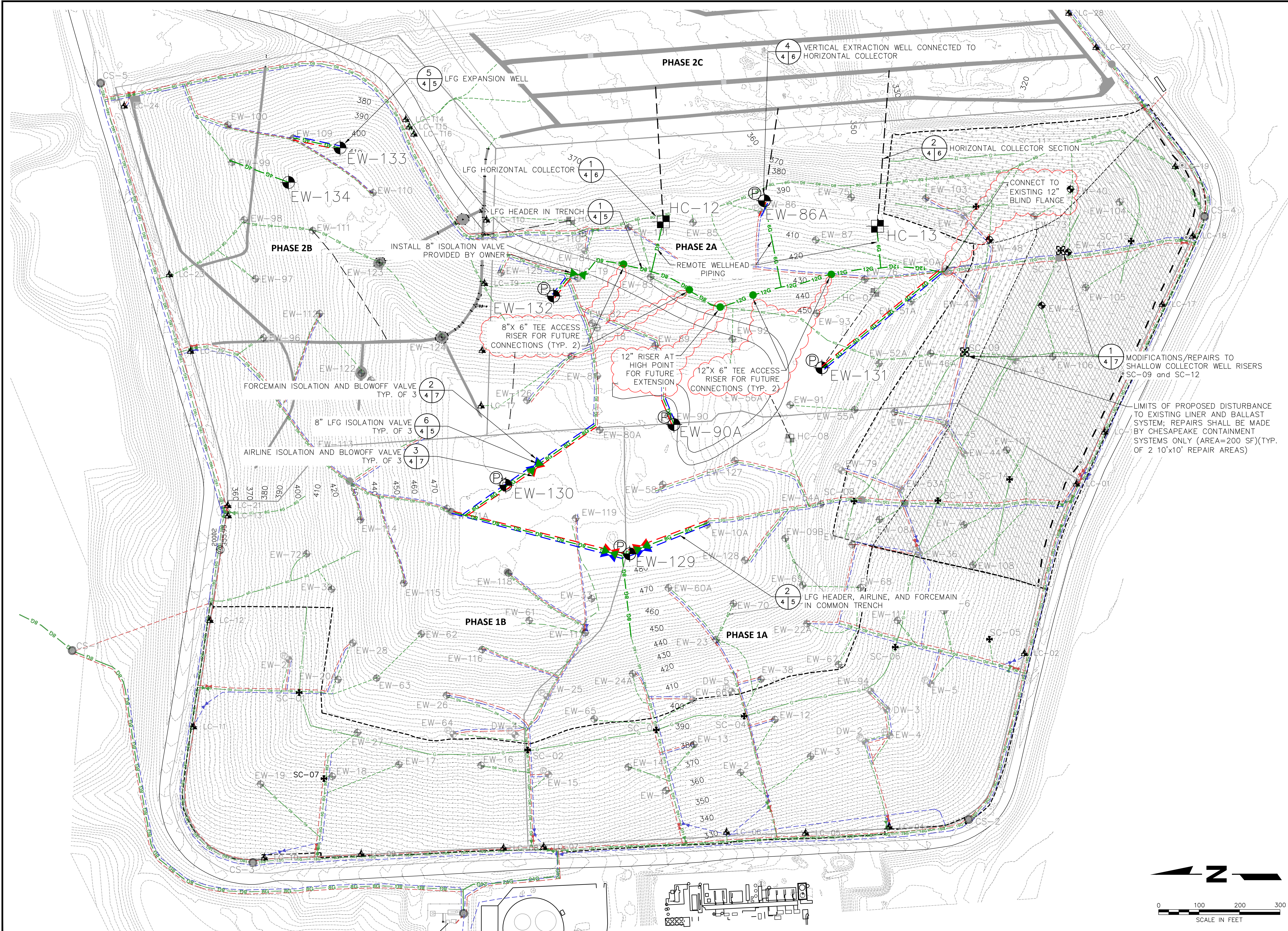
1. **Attachment 1:** The Plans (revision 1) have been modified to revise callouts, add an additional 12" stub-up, and increase text size on 6" proposed piping.
2. **Attachment 2:** The Project Manual (revision 1) has been modified to include the 12"x6" risers and 12" stub-up in the Bid Form.
3. **Attachment 3:** Response to Bidder Questions.
4. **Attachment 4:** Preferred seeding mix for revegetation



Addendum 1
2/5/26

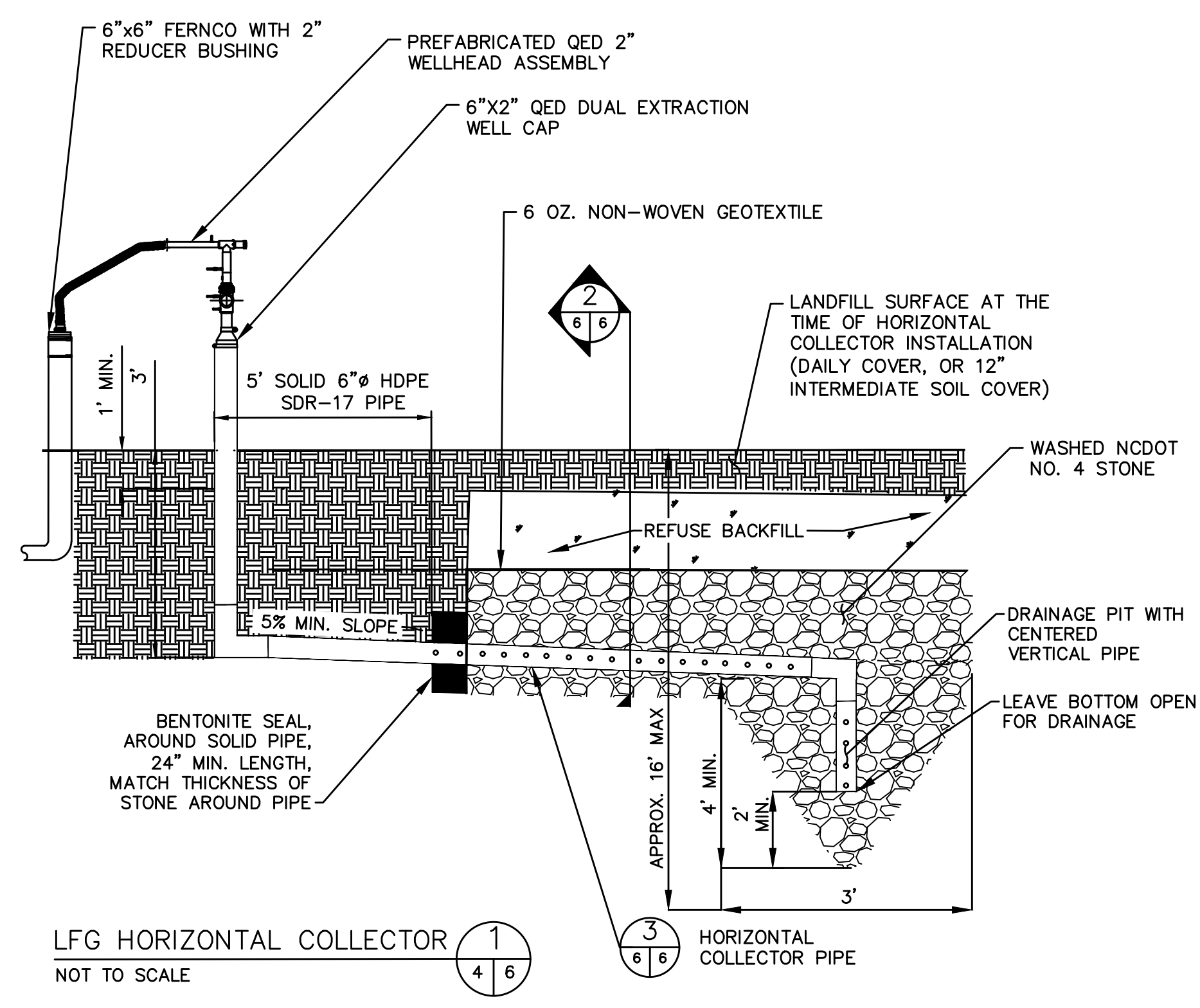
ATTACHMENT 1

\\MID-FS01\PROJECT\LFG_02199312.03\DRAWINGS\DESIGN PLANS\2025\SMWF_LFG_EXPANSION_2026.DWG

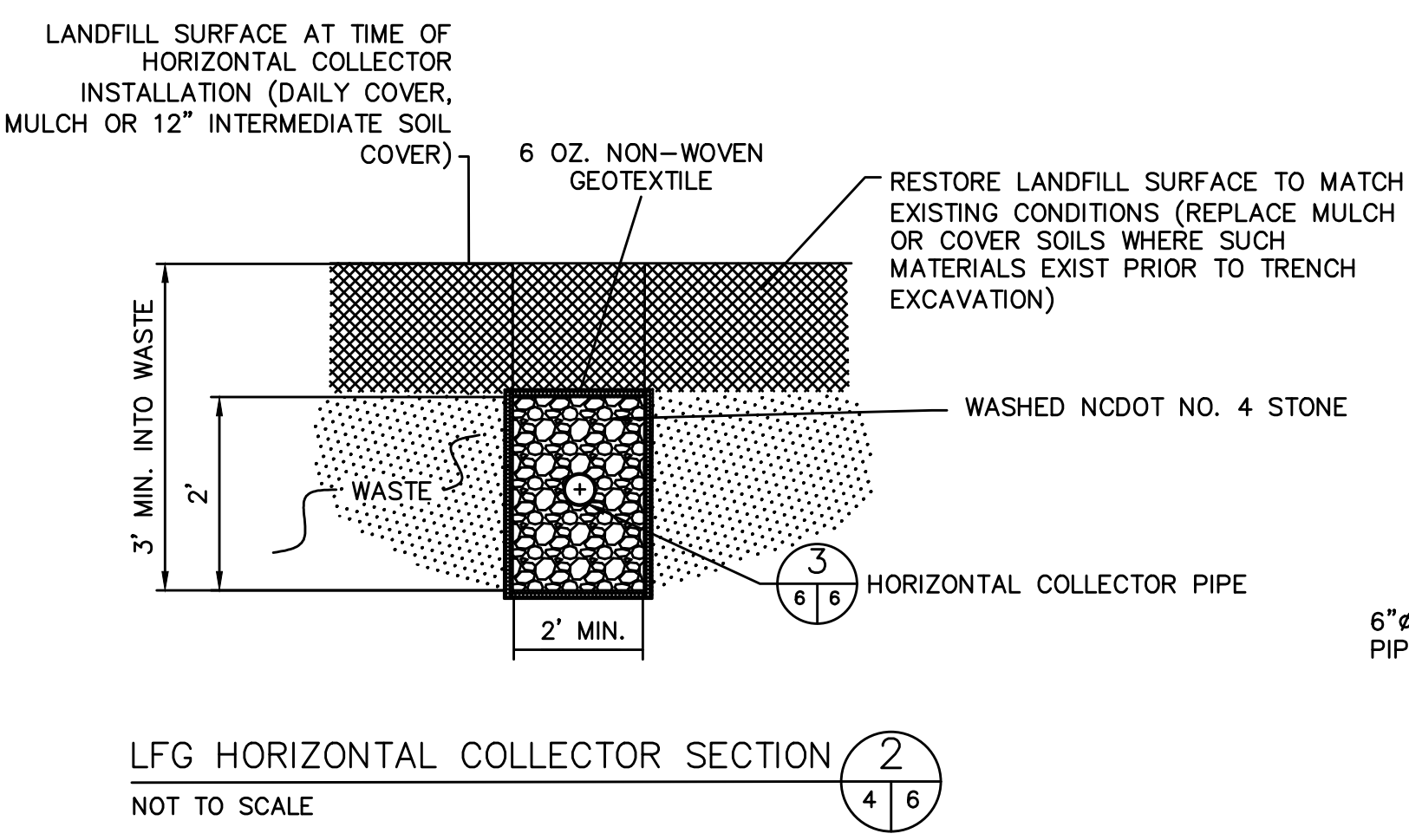


DATE		1/15/26	
REVISION		ADDENDUM 1	
NO.		◀◀◀◀	
SHEET TITLE		PROPOSED LAYOUT	
PROJECT TITLE		SOUTH WAKE LANDFILL SPRING 2026 LFG EXPANSION	
CLIENT			
SCS ENGINEERS, PC STEARNS, CONRAD AND SCHMIDT CONSULTING ENGINEERS, INC. 6821 MIDLOTHIAN TRAIL, #405 - MIDLOTHIAN, VA 23113 PH: (804) 576-7440 FAX: (804) 576-7455			
PROJ. NO. 22199312.03-29	DWN. BY JTB	O/A R/W BY VMH	APP. BY OFB
DES. BY OFB	CKE. BY OFB	CKE. BY OFB	APP. BY OFB
CADD FILE:			
DATE: 1/15/26			
SCALE: AS SHOWN			
DRAWING NO. 4 OF 7			

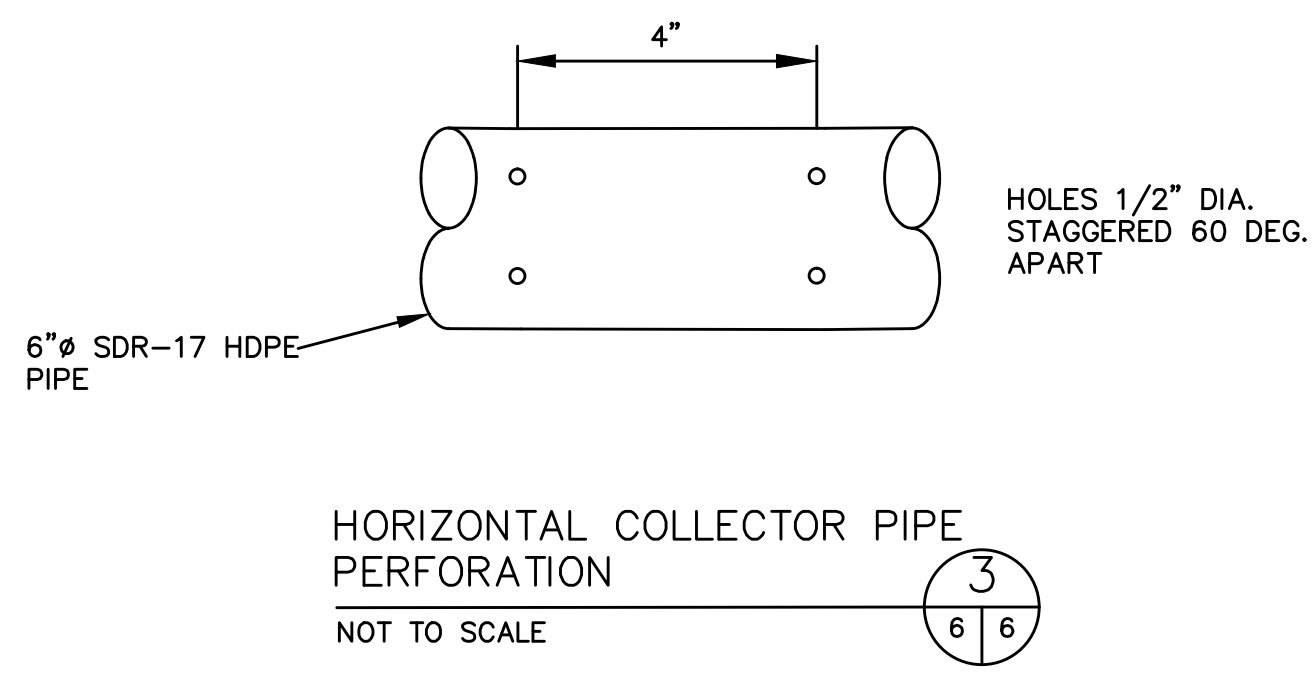
\\MID-FS01\PROJECT\LFG\02199312.03\DRAWINGS\DESIGN PLANS\2025\SWLF_LFG_EXPANSION_2026.DWG



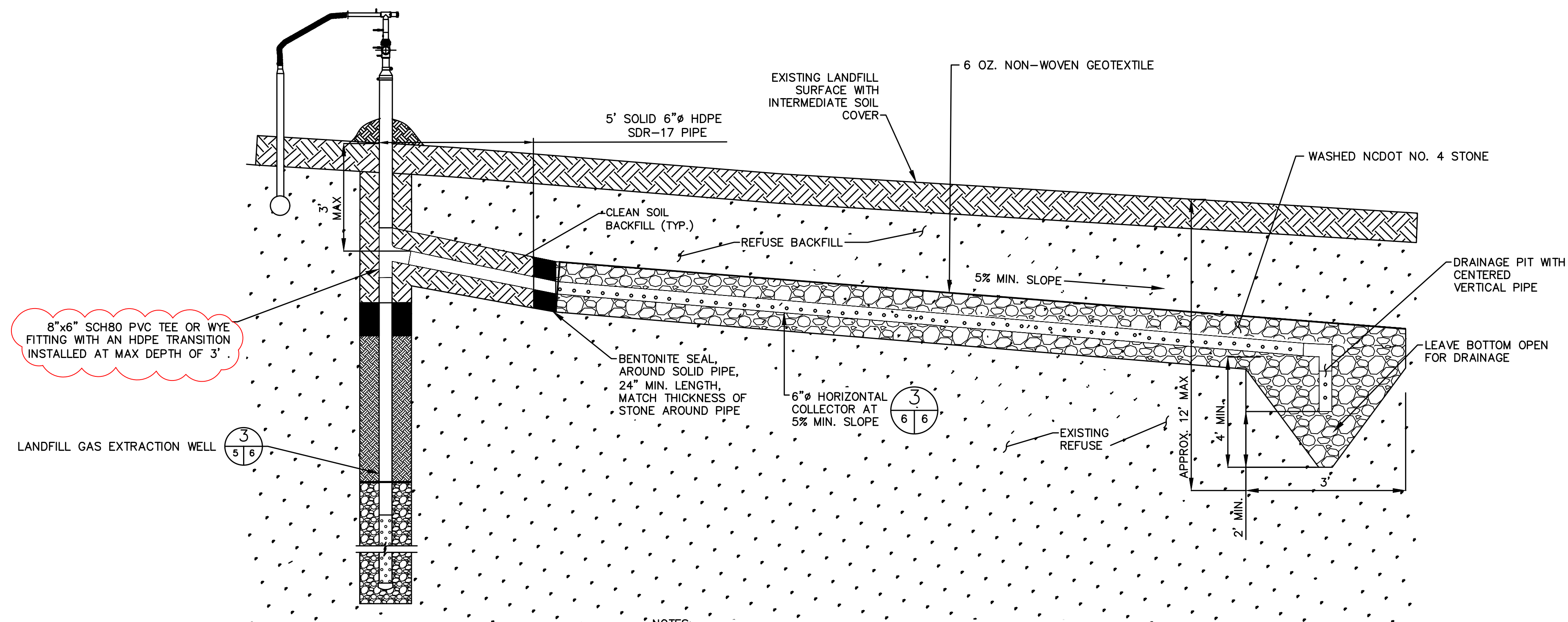
LFG HORIZONTAL COLLECTOR
NOT TO SCALE



LFG HORIZONTAL COLLECTOR SECTION
NOT TO SCALE



HORIZONTAL COLLECTOR PIPE PERFORATION
NOT TO SCALE



NOTES:
1. CONTRACTOR WILL SURVEY HORIZONTAL POSITION OF THE VERTICAL PIPE WITHIN THE DRAINAGE PIT AND PROVIDE COORDINATES TO ENGINEER.

VERTICAL EXTRACTION WELL CONNECTED TO HORIZONTAL COLLECTOR (VERTICAL-HORIZONTAL) WITH DRAINAGE PIT DETAIL
NOT TO SCALE

DATE	1/23/26
REVISION	ADDENDUM 1
NO.	1

SHEET TITLE: DETAILS 2
PROJECT TITLE: SOUTH WAKE LANDFILL SPRING 2026 LFG EXPANSION

CLIENT: WAKE COUNTY SOLID WASTE P.O. BOX 550 RALEIGH, NC 27602

SCS ENGINEERS, PC
STEARNS, CONRAD AND SCHMIDT CONSULTING ENGINEERS, INC.
15821 MIDLOTHIAN TRAIL #905 - MIDLOTHIAN, VA 23113
PH. (804) 378-7440 FAX. (804) 378-7433
DWG. BY: JIB
CHK. BY: QFB
APP. BY: QFB

CADD FILE:
DATE: 1/15/26
SCALE: AS SHOWN
DRAWING NO.

Addendum 1
2/5/26

ATTACHMENT 2

**SECTION 00 42 10
BID PROPOSAL FORM**

**2026 LANDFILL GAS COLLECTION SYSTEM EXPANSION
SOUTH WAKE LANDFILL**

Project No. 26-004

SINGLE PRIME GENERAL CONSTRUCTION WORK

BIDDERS NAME

_____ Lic. No. _____

BASE BID PROPOSAL

The undersigned, as Bidder, hereby declares that the only person or persons interested in this Proposal as principal or principals is or are named herein and that no other person than herein mentioned has any interest in this Proposal or in the Contract to be entered into; that this Proposal is made without connection with any other person, company or parties making a Bid or Proposal; and that it is in all respects fair and in good faith without collusion or fraud.

The Bidder further declares that he has examined the site of the work and informed himself fully in regard to all conditions pertaining to the place where the work is to be done; that he has examined the specifications for the work and the Contract Documents relative thereto, including addenda, if any, and has read all special provisions furnished prior to the opening of bids; that he has satisfied himself relative to the work to be performed.

The Bidder proposes and agrees if this Proposal is accepted to contract with the County of Wake with a definite understanding that no money will be allowed for extra work except as set forth in the General Conditions and Contract Documents, for the sum of:

Base Bid _____ Dollars
(\$_____).

SUBCONTRACTOR LISTING

SUBCONTRACTOR

Name: _____ Lic. No. _____

\$ _____

SUBCONTRACTOR

Name: _____ Lic. No. _____

\$ _____

UNIT PRICES

Unit prices are complete for labor, equipment, material, overhead and profit. Base bid includes the stipulated allowance quantity of each item. Unused amount will be credited to the Owner by change order at the end of the project.

NO.	ITEM	ESTIMATED QUANTITY	UNIT	UNIT PRICE	SUBTOTAL FOR ITEM
1	Mobilization/Demobilization	1	Lump Sum		
2	Surveying	1	Lump Sum		
3	Site Restoration and Erosion Control	1	Lump Sum		
4	Furnish and Install LFG Extraction Wells - 8" SCH 80 PVC	715	Vertical Feet		
5	Furnish and Install 2" LFG Extraction Wellheads	10	Each		
6	Furnish and Install Horizontal Collector	955	Linear Feet		
7	Furnish and Install 4" LFG Collection Piping	765	Linear Feet		
8	Furnish and Install 6" LFG Collection Piping	515	Linear Feet		
9	Furnish and Install 8" LFG Collection Piping	1,695	Linear Feet		
10	Furnish and Install 12" LFG Collection Piping	575	Linear Feet		
11	Furnish and Install 3" Condensate Forcemain, and 2" Airline Piping in Common Trench with LFG Pipe	1,765	Linear Feet		
12	8" LFG Isolation Valve (below-grade)	3	Each		
13	Install 8" LFG Isolation Valve (below-grade) Provided by Owner	1	Each		
14	2" Dia. Airline Isolation Valve (below-grade)	3	Each		
15	3" Dia. Forcemain Valve with cleanouts (below-grade)	3	Each		

16	8"x6" LFG Access Risers	<u>45</u>	Each		
17	Deep Pipe Trench Excavation (5'-10' Below Grade)	<u>500</u>	Linear Feet		
18	Dewatering Pneumatic Pumps	<u>6</u>	Each		
19	Repair Shallow Collector Wellheads	<u>2</u>	Each		
20	Allowance for Warranty Repairs to Exposed Geomembrane	<u>1</u>	Lump Sum	<u>\$7,500</u>	<u>\$7,500</u>
21	Allowance for Chemical Cleaning of EW-122, EW-124, EW-127	<u>1</u>	Lump Sum	<u>\$19,700</u>	<u>\$19,700</u>
22	Allowance for Vacuum Clean Condensate Sumps CS-2, CS-4, and CS-5	<u>1</u>	Lump Sum	<u>\$4,000</u>	<u>\$4,000</u>

SUBTOTAL PRICE _____
 (Use words) \$ _____

Contingency Allowance
 (5% of Subtotal Price) \$ _____

TOTAL BASE BID PRICE _____
 (Use words) \$ _____

The Bidder further proposes and agrees hereby to commence work under his Contract on a date to be specified in a written order of Wake County and shall fully complete all work thereunder within the number of consecutive calendar days stipulated in the Supplementary General Conditions. Applicable liquidated damages shall be as stated in Supplementary General Conditions.

The undersigned acknowledges receipt of the following addenda issued during the time of bidding and includes the changes therein in this Proposal:

Addendum No. _____ Dated _____
 Addendum No. _____ Dated _____
 Addendum No. _____ Dated _____

The undersigned agrees that this Proposal will not be withdrawn for a period of sixty (60) days.

The undersigned further agrees that in the case of failure on his part to execute the said Contract and the Bond within ten (10) consecutive calendar days after written notice being given of the award of the Contract, the check, cash, or Bid Bond accompanying this Bid shall be paid into the funds of Owner's Account set aside for this Project, as liquidated damages for such failure; otherwise the check, cash or Bid Bond accompanying this Proposal shall be returned to the undersigned.

The undersigned agrees to ensure compliance with the E-Verify requirements of the General Statutes of North Carolina, all contractors, including any subcontractors employed by the contractor(s), by submitting a bid, proposal, or any other response, or by providing any material, equipment, supplies, services, etc. attest and affirm that they are aware and in full compliance with Article 2 of Chapter 64, (NCGS64-26(a)) relating to the E-Verify requirements.

By signing this agreement; accepting this contract/purchase order; or submitting any bid, proposal, etc., vendors and contractors certify that as of the date of execution, receipt, or submission, they are not listed on the Final Divestment List created by the NC Office of State Treasurer pursuant to NCGS 147 Article 6E, Iran Divestment Act, Iran Page 3 of 8.

Divestment Act Certification. Vendors and contractors shall not utilize any subcontractor that is identified on the Final Divestment List.

Any organization defined under NCGS 147-86.80(2), Divestment from Companies Boycotting Israel, shall not engage in business totaling more than \$1,000 with any company/business, etc. that boycotts Israel. A list of companies that boycott Israel is maintained by the NC Office of State Treasurer, pursuant to NCGS 147-86.81(a)(1). Any company listed as boycotting Israel is not eligible to do business with any State agency or political subdivision of the State.

Respectfully submitted this _____ day of _____, 20____.

(Name of Firm or Corporation making Bid)

By: _____

WITNESS:

(Proprietorship or Partnership)

Title: _____
(Owner, Partner, or Corporation
President or Vice President only)

Address: _____

License No.: _____

ATTEST:

By: _____

Title: _____
(Corporation Secretary or Assistant Secretary only)

SECTION 01 22 00

MEASUREMENT AND PAYMENT

PART 1 – GENERAL

1.1 DESCRIPTION

- A. The CONTRACTOR shall receive and accept the compensation provided in the Contract as full payment for furnishing all labor, equipment, and materials and for performing all construction/operations necessary to complete the Work as described in the Contract, and in full payment for all losses or damages incurred during the Work, for any discrepancies between actual and estimated quantities, or from any unanticipated difficulties which may arise during the Work until final acceptance by the OWNER.
- B. The prices included in the Bid Proposal Form shall include all costs for labor, equipment, materials, taxes, freight, permits, handling and tests required to perform the Work as shown on the Contract Documents.
- C. The CONTRACTOR shall field verify all quantities and dimensions shown on the Plans or contained in the Contract Specifications including the Bid Proposal Form.

PART 2 – PRODUCTS (Not Used)

PART 3 – EXECUTION

3.1 MEASUREMENT AND PAYMENT – GENERAL

- A. Item No. 1: Mobilization/Demobilization
 - 1. Measurement. The Work required for this item will not be measured for payment.
 - 2. Payment. Payment for this item will be at the contract lump sum price, and shall constitute full compensation for all material, labor, equipment, and work incidental thereto, necessary to complete this item in accordance with the Contract Documents. Payment shall cover all Work as per Section 01 50 00 and the General Conditions of the Contract Documents. This includes, but is not limited to, movement of personnel, equipment, supplies and incidentals to the project site; obtaining all permits, insurance, and bonds; and any other pre-construction expense necessary for the start of the Work. No price adjustments will be made for this item due to changes in the Work. Demobilization includes removal from the site of all materials, resources, equipment, temporary support facilities, utilities, and all remaining construction debris at the completion of the project and includes release of liens and other incidentals as specified as requirements of project closeout. A partial payment of 50 percent of the contract lump sum price may be made once mobilization is completed. However, the remainder of the contract lump

sum price shall not be paid until demobilization is completed at project closeout. The maximum amount allowed to be paid for mobilization/demobilization is 10 percent of the total bid price.

- B. Item No. 2: Surveying
1. Measurement. The Work required for this item will not be measured for payment.
 2. Payment. Payment for this item will be at the contract lump sum price and shall constitute full compensation for all material, labor, equipment, and work incidental thereto, necessary to complete this item in accordance with the Contract Documents. Payment includes, but is not limited to, surveying affiliated with pre-construction stakeout and system layout, surveying of infrastructure installed under this Contract, and providing as-built record documentation.
- C. Item No. 3: Site Restoration and Erosion Controls
1. Measurement. The Work required for this item will not be measured for payment.
 2. Payment. Payment for this item will be at the contract lump sum price, and shall constitute full compensation for all material, labor, equipment, and work incidental thereto, necessary to complete this item in accordance with the Contract Documents. Payment includes, but is not limited to, earthwork to grade and level landfill surface within areas disturbed by excavation, trenching, or pipe placement to original elevations, placement and compaction of soil or mulch materials, seeding disturbed areas, and removal of any temporary E&S measures installed for this project.
- D. Item No. 4: Furnish and Install Landfill Gas Extraction Wells – 8” SCH 80 PVC
1. Measurement. Landfill gas wells will be measured on an installed vertical linear foot basis from the existing ground surface to the bottom of the well bore as measured in the field by the ENGINEER.
 2. Payment. Payment for this item will be at the contract unit price per foot installed. Payment will include all drilling, boring, transport of waste materials, installation of stone, soil, bentonite plug/foam sealant, wellbore reinforcement grate, piping (slotted and solid-walled), backfilling, health and safety requirements, fittings and connections, and shall constitute full compensation for all material, labor, equipment, and work incidental thereto, necessary to complete this item in accordance with the Contract Documents.
- E. Item No. 5: Furnish and Install 2” Landfill Gas Extraction Wellheads
1. Measurement. Measurement for this item shall be on a completed and installed unit basis.
 2. Payment. Payment for this item will be at the contract unit price per installed unit. Payment will include valves, fittings, piping, connections, gauges,

monitoring/access ports, flow measurement devices, testing, and other incidentals. Payment shall constitute full compensation for all material, labor, equipment, and work incidental thereto, necessary to complete this item in accordance with the Contract Documents.

F. Item No. 6: Furnish and Install Horizontal Collector

1. Measurement. Measurement for this item shall be on an installed linear foot basis of the pipe as measured during the conformance survey conducted by a North Carolina Licensed Professional Surveyor.
2. Payment. Payment for this item shall be at the contract unit price per horizontal linear foot. Payment includes excavation, transport of excavated unsuitable materials, pipe bedding, backfilling, soil compaction, fittings, piping, connections, risers for connections to laterals, pipe location markings, restoration of disturbed areas, quality control surveying, testing, and incidentals. Payment shall constitute full compensation for all material, labor, equipment and work incidental thereto, necessary to complete this item in accordance with the Contract Documents.

G. Item No. 7: Furnish and Install 4" Landfill Gas Collection Piping

1. Measurement. Measurement for this item shall be on an installed linear foot basis of the pipe as measured during the conformance survey conducted by a North Carolina Licensed Professional Surveyor.
2. Payment. Payment for this item shall be at the contract unit price per horizontal linear foot. Payment includes excavation, transport of excavated unsuitable materials, pipe bedding, backfilling, soil compaction, fittings, piping, connections, risers for connections to laterals, pipe location markings, restoration of disturbed areas, quality control surveying, testing, and incidentals. Payment shall constitute full compensation for all material, labor, equipment and work incidental thereto, necessary to complete this item in accordance with the Contract Documents.

H. Item No. 8: Furnish and Install 6" Landfill Gas Collection Piping

1. Measurement. Measurement for this item shall be on an installed linear foot basis of the pipe as measured during the conformance survey conducted by a North Carolina Licensed Professional Surveyor.
2. Payment. Payment for this item shall be at the contract unit price per horizontal linear foot. Payment includes excavation, transport of excavated unsuitable materials, pipe bedding, backfilling, soil compaction, fittings, piping, connections, risers for connections to laterals, pipe location markings, restoration of disturbed areas, quality control surveying, testing, and incidentals. Payment shall constitute full compensation for all material, labor, equipment and work incidental thereto, necessary to complete this item in accordance with the Contract Documents.

- I. Item No. 9: Furnish and Install 8” Landfill Gas Collection Piping
1. Measurement. Measurement for this item shall be on an installed linear foot basis of the pipe as measured during the conformance survey conducted by a North Carolina Licensed Professional Surveyor.
 2. Payment. Payment for this item shall be at the contract unit price per horizontal linear foot. Payment includes excavation, transport of excavated unsuitable materials, pipe bedding, backfilling, soil compaction, fittings, piping, connections, risers for connections to laterals, pipe location markings, restoration of disturbed areas, quality control surveying, testing, and incidentals. Payment shall constitute full compensation for all material, labor, equipment and work incidental thereto, necessary to complete this item in accordance with the Contract Documents.
- J. Item No. 10: Furnish and Install 12” Landfill Gas Collection Piping
1. Measurement. Measurement for this item shall be on an installed linear foot basis of the pipe as measured during the conformance survey conducted by a North Carolina Licensed Professional Surveyor.
 2. Payment. Payment for this item shall be at the contract unit price per horizontal linear foot. Payment includes excavation, transport of excavated unsuitable materials, pipe bedding, backfilling, soil compaction, fittings, piping, connections, risers for connections to laterals, pipe location markings, restoration of disturbed areas, quality control surveying, testing, and incidentals. Payment shall constitute full compensation for all material, labor, equipment and work incidental thereto, necessary to complete this item in accordance with the Contract Documents.
- K. Item No. 11: Furnish and Install 3" Condensate Forcemain, 2" Airline in Common Trench with LFG Pipe
1. Measurement. Measurement for this item shall be on an installed linear foot basis of the pipes as measured during the conformance survey conducted by a North Carolina Licensed Professional Surveyor.
 2. Payment. Payment for this item shall be at the contract unit price per horizontal linear foot. Payment includes excavation, pipe bedding, backfilling, soil compaction, fittings, piping, stub-ups at the well, connections to existing piping, pipe location markings, restoration of disturbed areas, quality control surveying, testing, and incidentals. Payment shall constitute full compensation for all material, labor, equipment and work incidental thereto, necessary to complete this item in accordance with the Contract Documents.
- L. Item No. 12: 8” LFG Isolation Valve
1. Measurement. Measurement for this item shall be on a completed and installed unit basis.

2. Payment. Payment for this item will be at the contract unit price per installed unit. Payment will include excavation, transport of excavated unsuitable materials, backfilling, valves, fittings, support posts, and other incidentals. Payment shall constitute full compensation for all material, labor, equipment, and work incidental thereto, necessary to complete this item in accordance with the Contract Documents.
- M. Item No. 13: Install 8" LFG Isolation Valve (below-grade) Provided by Owner
1. Measurement. Measurement for this item shall be on a completed and installed unit basis.
 2. Payment. Payment for this item will be at the contract unit price per installed unit. Payment will include excavation, transport of excavated unsuitable materials, backfilling, fittings, support posts, and other incidentals. Payment shall constitute full compensation for all material, labor, equipment, and work incidental thereto, necessary to complete this item in accordance with the Contract Documents.
- N. Item No. 14: 2-inch-Diameter Airline Isolation Valve (belowgrade)
1. Measurement. Measurement for this item shall be on a completed and installed unit basis.
 2. Payment. Payment for this item will be at the contract unit price per installed unit. Payment will include excavation, transport of excavated unsuitable materials, backfilling, valves, fittings, support posts, and other incidentals. Payment shall constitute full compensation for all material, labor, equipment, and work incidental thereto, necessary to complete this item in accordance with the Contract Documents.
- O. Item No. 15: 3-inch-Diameter Forcemain Isolation Valve with cleanouts (belowgrade)
1. Measurement. Measurement for this item shall be on a completed and installed unit basis.
 2. Payment. Payment for this item will be at the contract unit price per installed unit. Payment will include excavation, transport of excavated unsuitable materials, backfilling, valves, fittings, support posts, and other incidentals. Payment shall constitute full compensation for all material, labor, equipment, and work incidental thereto, necessary to complete this item in accordance with the Contract Documents.
- P. Item No. 16: ~~8"x6"~~LFG Access Risers
1. Measurement. Measurement for this item shall be on a completed and installed unit basis.
 2. Payment. Payment for this item will be at the contract unit price per installed unit. Payment will include excavation, transport of excavated unsuitable materials, backfilling, fittings, and other incidentals. Payment shall constitute full compensation for all material, labor, equipment, and work incidental

thereto, necessary to complete this item in accordance with the Contract Documents.

Q. Item No. 17: Deep Pipe Trench Excavation

1. Measurement. Measurement for this item shall be on a completed and installed unit basis.
2. Payment. Payment for this item will be at the contract unit price per installed linear foot of trench between 5 and 10 feet deep. Payment shall constitute full compensation for all material, labor, equipment, and work incidental thereto, necessary to achieve the depth in accordance with the Contract Documents. This line item shall not include the installation of the pipe itself, only the additional work to excavate, bench, and backfill trench depths between 5 and 10 feet below grade. For bidding purposes, bidders shall assume a trench depth of 8 feet. The Contractor shall coordinate with the Construction Quality Assurance (CQA) representative on-site to identify and delineate all areas designated as deep trench excavation. The Contractor shall furnish appropriate documentation substantiating the extent and nature of deep trench work performed, which shall be submitted with each pay application for verification and approval.

R. Item No. 18: Dewatering Pneumatic Pumps

1. Measurement. Measurement for this item shall be on a completed and installed unit basis.
2. Payment. Payment for this item will be at the contract unit price per installed unit. Payment includes, but is not limited to, pneumatic pump, dual extraction well cap, cycle counter, regulators and controls, valves, piping/hose installation and connections, pneumatic and forcemain piping connections, testing, and demonstration of the dewatering pump and associated controls. Payment shall constitute full compensation for all material, labor, equipment, and work incidental thereto, necessary to complete this item in accordance with the Contract Documents.

S. Item No. 19: Repair Shallow Collector Wellheads

1. Measurement. Measurement for this item shall be on a completed and installed unit basis.
2. Payment. Payment for this item will be at the contract unit price per installed unit. Payment includes excavation, transport of excavated unsuitable materials, pipe bedding, backfilling, soil compaction, fittings, piping, connections, risers for connections to laterals, pipe location markings, restoration of disturbed areas, quality control surveying, and incidentals. Payment shall constitute full compensation for all material, labor, equipment and work incidental thereto, necessary to complete this item in accordance with the Contract Documents. All activities related to the repair of shallow collector wellheads, with the exception of liner repairs performed by Chesapeake Containment Systems, shall be included under this item.

- T. Item No. 20: Allowance for Warranty Repairs to Exposed Geomembrane Cover
1. Measurement. Measurement for this item shall be on a completed and installed on a lump sum basis.
 2. Payment. Payment for this item will be at the established price shown on the bid form, adjusted via change order when work is complete. Payment shall constitute full compensation for all material, labor, equipment, and work incidental thereto, necessary to achieve the repairs to sections of the EGC cut during the Work in accordance with the Contract Documents. This work shall be completed by the original installer (Chesapeake Containment Systems) to maintain the terms of an existing warranty.
- U. Item No. 21: Allowance for Chemical Cleaning of EW-122, EW-124, EW-127
1. Measurement. Measurement for this item shall be on a completed and installed on a lump sum basis.
 2. Payment. Payment for this item will be at the established price shown on the bid form, adjusted via change order when work is complete. Payment shall constitute full compensation for all material, labor, equipment, and work incidental thereto, necessary to complete this item in accordance with the Contract Documents. This work shall be completed by Progressive Environmental Services.
- V. Item No. 22: Allowance for Vacuum Clean Condensate Sumps CS-2, CS-4, and CS-5
1. Measurement. Measurement for this item shall be on a completed and installed on a lump sum basis.
 2. Payment. Payment for this item will be at the established price shown on the bid form, adjusted via change order when work is complete. Payment shall constitute full compensation for all material, labor, equipment, and work incidental thereto, necessary to complete this item in accordance with the Contract Documents. This work shall be completed by Intragrade.

END OF SECTION 01 22 00

These Specifications are authored and owned by Stearns, Conrad and Schmidt Consulting Engineers, Inc. (SCS Engineers).
All use and re-use of these Specifications are subject to the express permission of SCS Engineers.
© Copyright, Stearns, Conrad and Schmidt Consulting Engineers, Inc. 2022.

Addendum 1
2/5/26

ATTACHMENT 3

RESPONSE TO BIDDERS' QUESTIONS NO. 1**SPRING 2025 LANDFILL GAS SYSTEM EXPANSION RE-BID
RFB #26-004****SOUTH WAKE LANDFILL
APEX, NORTH CAROLINA**

February 5, 2026

Following is a list of questions pertaining to the subject project that were submitted by Prospective Bidders during the bidding process. Questions are in bold type with the Engineer's response following each question in italics. Questions may have been edited for clarity.

- 1. Per the measurement and payment description of line item 3 – will the Contractor be responsible for revegetation of disturbed areas? If so, is there a seeding spec the Owner would require the Contractor to adhere to?**

If the disturbed areas are located on an existing vegetated slope, the contractor shall be responsible for restoring vegetation in those areas. Only external slopes are vegetated: for example the 8-inch proposed LFG pipe running West would likely be in a vegetated area.

The owner does not require a specific seeding mix, however the preferred vendors are Sides Seeding or Southeastern Erosion Control, and preferred seeding mix is included as Attachment 4 to this Addendum (1).

- 2. Will on-site soils be acceptable for use as pipe bedding and for backfill of excavations, or shall the Contractor import materials for this?**

On-site soils are acceptable for these applications, and can be sourced from the GFL borrow area. The contractor is responsible for coordinating access to the borrow pit with GFL.

- 3. Per Section 01 21 00 – Part 3.3 Schedule of Allowances – it is stated that the Contractor will be required to subcontract Chesapeake Containment Systems, Progressive Environmental Services, and Intragrade. Can this be confirmed? If the Owner has service agreements with them, shouldn't they be able to contact them directly?**

Yes, the County requires the use of Chesapeake Containment Systems, Progressive Environmental Services, and Intragrade for the allowances. The intent is that scheduling, coordination, and responsibility for the work associated with this project remain fully integrated within the construction contract.



4. In the drawing set – Drawing No. 6 Detail 4 – shows an 8” x 6” HDPE tee being fused into an 8” SCH80 PVC well. Can it be confirmed what the actual procedure for this shall be – possibly a SCH80 tee with a flanged connection to the horizontal collector?

Yes, the Tee should be SCH80 PVC; this is revised revision 1 of the Plans included in Addendum 1. A flanged connection is acceptable for a PVC/HDPE transition.

5. Where is the active face expected to be for the duration of the project in relation to the work area? Can it be confirmed that excavated waste from this project will not need to be hauled through the scales and can be taken directly to the active face?

Throughout the entirety of the project, the active face will remain within Phase 2C (labeled in revision 1 to the Plans). Excavated waste does not need to cross the scales and may be transported directly to the active face.

6. Can a line item be established for tie-ins to the existing GCCS system, or shall these costs be inserted into their respective pipe size line items?

Please include connections to the existing GCCS system within current line items.

7. For the modifications to the existing shallow collectors – are the Marmac poly couplers reusable or will they need to be replaced? May the Contractor use ferncos in lieu of the poly couplers? What size and material is the existing panel pipe?

Marmac Poly Couplers are single-use and must be replaced; Fernco couplers are not permitted. The ADS Advanedge 12” flat panel pipe connects to the ADS round-to-flat adapter, which joins the smooth wall 4” HDPE pipe via the Marmac Poly Coupler.

8. Building off the last question – the shallow collector details call out a 6” x 4” tee. Is the riser supposed to be 4” instead of 6” as shown, or is the perforated sections to be 4” with (2) reducers on the tee?

The existing riser is 6-inch, and the perforated section of pipe is 4-inch. The contractor is being asked to add two 4-inch tees along the perforated section that extend 2 feet down-slope on either side of the existing 6-inch riser to brace it (i.e. keep it from falling down-slope).

9. For flange hardware – may zinc-plated bolt kits be used in lieu of galvanized steel?

Bolts with zinc coating will be acceptable to use on blind flanges for this project.

- 10. The drawings show an 8" x 6" access riser being installed on the 12" header – can this be amended to be a 12" access riser? Can a line item be established for the fabrication and installation of it?**

The 8" x 6" access risers on the 12" header are now 12" x 6" per Addendum 1. The Bid Form will be edited to fix this issue as well.

- 11. What is the expected tie in procedure at EW-50A? Is there an existing 12" blind flange, or does the 12" line terminate in a 90 riser? Are the laterals running to EW-51A and EW-76 expected to come into play during the installation of the proposed piping?**

The existing 12" line terminates with a blind flange to be used for this connection preceded by a 90° riser. The lateral connected to EW-51A is an older installation and is not expected to be impacted. The lateral extending to EW-76 was connected to the 90° riser. The Contractor is advised to exercise caution when excavating in the vicinity of this lateral.

- 12. There is no detail in the drawings for pumps – can one be included, or shall the Contractor assume the use of PumpOne pumps and fittings?**

Refer to Project Manual Section 43 21 40 to find details on which pumps and fittings should be supplied.

- 13. Will any waste be allowed as backfill or does it all need to be clean soil?**

Waste material may be incorporated into the backfill; however, the uppermost two feet of backfill must consist of soil.

- 14. Please confirm that all backfill and bedding material for pipe installation is suitable and readily available from the existing borrow pit and is not required to be imported or processed prior to incorporating into the project.**

Confirmed: All materials required for backfill and pipe bedding may be obtained from the GFL borrow pit. The contractor is responsible for coordinating access to the borrow pit with GFL.

- 15. Will there need to be third-party geotechnical testing for the stone or will these reports be acceptable directly from the quarry?**

Calcium carbonate content shall be determined in accordance with ASTM D3042-17. These results may be provided by the quarry if the appropriate test method was used.

- 16. Confirm both the stakeout and as-built are the responsibility of the contractor?**

Confirmed. The survey must be certified by a Licensed Professional Surveyor.

17. Will any Silt Fencing be needed for this project?

Although the use of Silt Fence is not anticipated for this project, it remains the contractor's responsibility to protect their work area; therefore, appropriate erosion control measures shall be implemented at the contractor's discretion.

18. Will contractor be responsible for any NPDES monitoring or reporting?

No.

19. Will contractor be responsible to submit a Soil Erosion, Sedimentation and Stormwater Pollution Control Plan?

No.

20. If it turns out that the EGC repairs and Chemical cleaning end up being more expensive than the allowances given, how will that be handled?

The Contractor will submit the cost information from the appropriate subcontractor to SCS and the County for review, and any necessary changes will be made through a change order.

21. Is there an estimated Acreage for the re-seeding or can this be established in the schedule of values?

Please see the response to Question 1 for guidance on approximating seeding area.

22. If the contractor disturbs areas that were not previously grassed, do we need to seed those areas as well or just return them to pre-construction existing conditions?

No, if the existing area was not seeded it does not need to be seeded after completion of the Work; restore to pre-construction conditions.

23. Confirm that the contractor would not be responsible for any geosynthetics/geocomposite repairs and this will all be done by Chesapeake? Confirmed;

The Contractor will coordinate with Chesapeake regarding the preferred sequencing of liner work and arrange for their presence onsite at the proper time to complete the necessary liner repairs.

24. Confirm that the contractor would not be responsible for the chemical cleaning and this would be done by others?

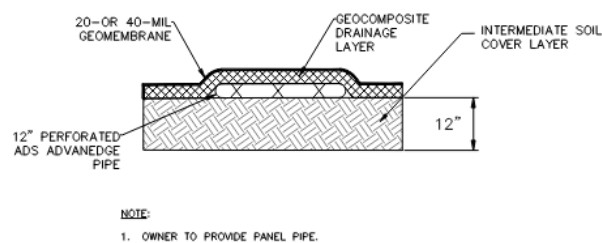
Confirmed; this work will be performed by Progressive, hired by the Contractor after award of the Contract through the allowance for chemical cleaning.

25. Confirm there are no road crossings? If there are, is it just gravel road repairs?

Confirmed, no road crossings. While there is an apparent road crossing near LC-T9 and EW-84, we anticipate that the access road will be abandoned to accommodate filling by the time a Contractor is on-site for this work.

26. Can a cross section of the final cover trench be provided?

Assuming this refers to the 12" flat panel pipe in the EGC area, see cross section below.



27. Are there different layers of soil/clay/sand for the final cover area that we will have to replace and if so is all of this material onsite or does it need imported?

As shown in the response to Question 26, typical intermediate cover soil is acceptable backfill in and around the shallow collector repairs, but the Contractor must remove any incidental rocks, roots, or other materials that could harm the liner when placing.

28. What testing will need done for the final cap trenches?

No testing is required for the repairs to the geosynthetic cover.

29. We anticipate a significant amount of deep trenching. Will Wake County and SCS Engineers consider increasing the estimated quantity of 'Line Item 17 – Deep Pipe Trench Excavation (5'-10' Below Grade)' ?

At this time, SCS and the County will adhere to the currently specified quantity for Deep Trench Excavation. Should the Contractor's quantification of deep trenches exceed the estimated quantities, adjustments will be managed through a change order.

30. Per the site walk, we notated an existing gap between cells where the proposed LFG Horizontal Collectors are to be installed (Phase 2B and 2C). Will this area be filled in with material prior to start of construction?

The area designated for the installation of Horizontal Collectors is located within the currently active section of the landfill and is expected to be more filled than observed during the site walk.

- 31. When crossing the access road with our 8" LFG piping to LC-T9 junction, is there a day of the week that Wake County and GFL prefer we perform that on?**

See response to Question 25.

- 32. Confirm that LFG Horizontal Collector piping is to be fully wrapped with non-woven geotextile and not laid over top layer of aggregate.**

Confirmed.

Addendum 1
2/5/26

ATTACHMENT 4

SECTION 02930

REVEGETATION

Revegetation: Revegetation includes permanent Revegetation of all site areas disturbed by the Contractor whether inside the Contract Limits or not.

A. Description

1. General:

The Contractor shall furnish all labor, material, and equipment to complete Revegetation in accordance with the Contract Drawings and these Specifications.

2. Related Work:

Related Contract Work is described in the following sections of the Specifications:

<u>Work</u>	<u>Section</u>
Embankment	02223
Protective Cover	02256
Vegetative Soil Layer	02258
Erosion and Sedimentation Control	02270
Rolled Erosion Control Products	02275

3. Warranty:

The Contractor shall be responsible for the satisfactory establishment and growth of a permanent stand of vegetation for a period of one year following the final seeding as judged by the Engineer. During this period, the Contractor shall be responsible for the maintenance items described in Paragraph D.4 (Maintenance) of this Specification.

B. Materials

1. Limestone: Unless otherwise defined by specific soil tests, supply agricultural grade ground limestone conforming to the current "Rules, Regulations, and Standards of the Fertilizer Board of Control."

2. Fertilizer: Unless otherwise defined by specific soil tests, supply commercial fertilizer of 10-20-10 analysis, meeting applicable requirements of State and Federal law. Do not use cyanamic compounds of hydrated lime. Deliver fertilizer in original containers labeled with content analysis.

3. Grass Seed: Supply fresh, clean, new-crop seed as specified in Table 1 of this section. Do not use seed which is wet, moldy, or otherwise damaged. Deliver seed in standard sealed containers labeled with producer's name and seed analysis, and in accord with US Department of Agriculture Rules and Regulations under Federal Seed Act.
4. Mulch: Supply clean, seed-free, threshed straw of oats, wheat, barley, rye, beans, or other locally available mulch material.
 - a. Do not use mulch containing a quantity of matured, noxious weed seeds or other species that will be detrimental to seeding, or provide a menace to surrounding land.
 - b. Do not use mulch material which is fresh or excessively brittle, or which is decomposed and will smother or retard growth of grass.
5. Binder: Supply emulsified asphalt or synthetic binder.
6. Water: Supply potable, free of substances harmful to growth.

C. Submittals

The Contractor shall submit the following to the Engineer:

1. Results of soil tests performed and proposed modifications, if any, to the specified requirements.
2. Certificates for each grass seed mixture, stating botanical and common name, percentage by weight, and percentages of purity, germination, and weed seed. Certify that each container of seed delivered is fully labeled in accordance with Federal Seed Act and equals or exceeds specification requirements.
3. Copies of invoices for fertilizer, showing grade furnished and total quantity applied.

D. Construction

1. The Contractor shall establish a smooth, healthy, uniform, close stand of grass from the specified seed. Prior to Revegetation, the Contractor shall adequately test the soils to be revegetated to ensure the adequacy of the specified requirements. Any modifications to these requirements deemed necessary after the review of soil test results, shall be at the Contractor's sole expense. The Engineer will perform the observations to determine when successful Revegetation is achieved.

2. Soil Preparation:

- a. Limit preparation to areas which will be planted soon after preparation.
- b. Loosen surface to minimum depth of four (4) inches.
- c. Remove stones, sticks, roots, rubbish and other extraneous matter over three (3) inches in any dimension.
- d. Spread lime uniformly over designated areas at the rate specified in Table 1 of this section.
- e. After application of lime, prior to applying fertilizer, loosen areas to be seeded with double disc or other suitable device if soil has become hard or compacted. Correct any surface irregularities in order to prevent pocket or low areas which will allow water to stand.
- f. Distribute fertilizer uniformly over areas to be seeded at the rate specified in Table 1 of this section.
 - (1) Use suitable distributor.
 - (2) Incorporate fertilizer into soil to depth of a least two (2) inches.
 - (3) Remove stones or other substances which will interfere with turf development or subsequent mowing.
- g. Grade seeded areas to smooth, even surface with loose, uniformly fine texture.
 - (1) Roll and rake, remove ridges and fill depressions, as required to meet finish grades.
 - (2) Fine grade just prior to planting.

3. Seeding:

- a. Use approved mechanical power driven drills or seeders, mechanical hand seeders, or other approved equipment.
- b. Distribute seed evenly over entire area at the rate specified in Table 1 of this section.

- c. Stop work when work extends beyond most favorable planting season for species designated, or when satisfactory results cannot be obtained because of drought, high winds, excessive moisture, or other factors.
- d. Resume work only when favorable condition develops, or as directed by the Engineer.
- e. Lightly rake seed into soil followed by light rolling or cultipacking.
- f. Immediately protect seeded areas against erosion by mulching or placing Rolled Erosion Control Products in accordance with Section 02275 of these Specifications, where applicable.
 - (1) Spread mulch in a continuous blanket at the rate specified in Table 1 of this section.
 - (2) Immediately following spreading mulch, secure with evenly distributed binder at the rate specified in Table 1 of this section.

4. Maintenance:

The Contractor shall be responsible for maintaining all seeded areas through the end of his warranty period. The Contractor shall provide, at his expense, protection of all seeded areas against damage at all times until acceptance of the work. Maintenance shall include, but not be limited to, the following items:

- a. Regrade and revegetate all eroded areas until adequately stabilized by grass.
- b. Remulch with new mulch in areas where mulch has been disturbed by wind or maintenance operations sufficiently to nullify its purpose. Anchor as required to prevent displacement.
- c. Replant bare areas using same materials specified.

Table 1: Seeding Schedule

Material	Seed Type	APPLICATION RATE ¹
Lime	-----	4,000 lbs/acre
Fertilizer (10-20-20)	-----	500 lbs/acre
Seed Permanent:	Kentucky 31 Tall Fescue Pensacola Bahiagrass Sericea Lespedeza ³ Kobe Lespedeza Seasonal Nurse Crop ²	75 lbs/acre 50 lbs/acre 15 lbs/acre 10 lbs/acre See Note 2
Temporary:	Seasonal Nurse Crop ²	See Note 2
Mulch	-----	4,000 - 5,000 lbs/acre
Binder	-----	400 gallons/acre

Notes:

1. Application rates and/or chemical analysis shall be confirmed or established by a soil test(s).
2. Use seasonal nurse crop in accordance with seeding dates as stated below:

January 1 – April 30	120 lbs/acre Rye (grain) and 50 lbs/acre annual lespedeza (Kobe)
May 1 - August 15	40 lbs/acre German Millet
August 16 – December 31	120 lbs/acre Rye (grain).
3. From September 1 - March 1, use unscarified Sericea seed.

END OF SECTION